

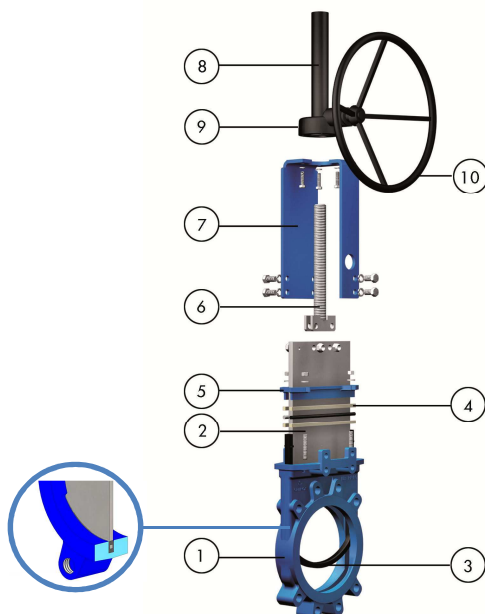
The HB model knife gate valve is a bi-directional wafer type high-pressure valve designed for general industrial service applications. The design of the body and the seat assures non-clogging shut off on suspended solids in various industries such as Wastewater Treatment Plants, Food & Beverage, Chemical Plants, etc.

## Product description:

- Bi-directional wafer type high pressure knife gate valve
- Size range of DN50-300 (larger sizes upon request). See Dimension Charts for pressure rating
- Rising stem as standard. Non-rising stem also available
- Standard flange connection: DIN (EN 1092-2) PN16. Others available upon request
- Manual (handwheel, chainwheel, lever and bevel gear), pneumatic (single and double-acting), electric and hydraulic actuation options available
- Directives: 2006/42/EC (MACHINES), 2014/68/EU (PED) Fluid: Group 1(b), 2 (Cat. I. mod. A) and 94/9/EC (ATEX)

## Features:

- Wafer monoblock cast design with special seal housing machining for a perfect adjustment of the body with the gate and the seal, reducing the operation torque, maintaining the tightness and avoiding any build-up
- Full port design for greater flow capacity and minimal pressure drop
- Suitable for dead-end service to the full rating
- Stainless steel gate polished both sides to avoid jamming and seat damage
- Standard EPDM seat with metallic core
- Long life PTFE impregnated synthetic fibre plus EPDM o-ring packing with easy access and adjustable gland follower. Wide range of packing materials available
- RAL-5015 blue epoxy-coating on all cast iron/carbon steel components
- Automated valves provided with gate guards in accordance with EU Safety Standards
- Actuation accessories: limit & proximity switches, mechanical stops, positioners, solenoid valves, manual overrides, locking devices, fail safe systems, stem extensions and floor stands

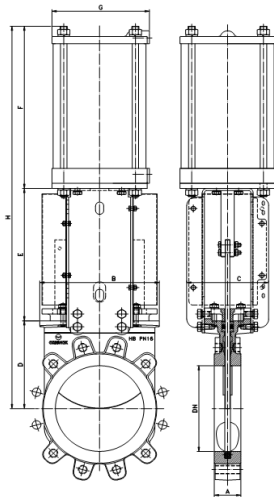
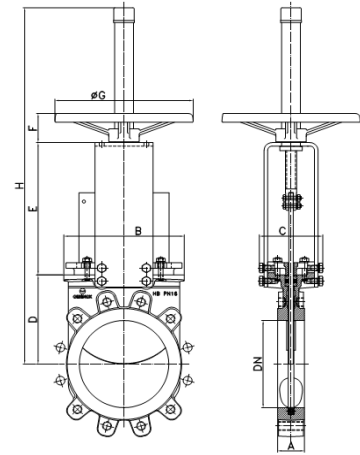


## STANDARD PARTS LIST

Part:	Materials:
1 Body	GJL400 (GGG40)
2 Gate	AISI 304
3 Seat	EPDM /Nitrile
4 Packing	PTFE impreg. synth. fibre and EPDM O-ring
5 Gland Follower	GJS400 (GGG40)
6 Stem	Stainless Steel
7 Yoke	Carbon steel - Epoxy coated
8 Stem Protector	A570 GR.40 / 1.0044 Epoxy coated
9 Bevel Gear	-
10 Handwheel	A570 GR.40 / 1.0044 Epoxy coated

## DIMENSIONS (mm) Handwheel Rising Stem

DN	Pressure	A	B	C	D	E	F	ØG	H
50	16 bar	43	113	124	105	132	47	225	460
65	16 bar	46	128	124	115	149	47	225	490
80	16 bar	46	143	124	124	165	47	225	515
100	16 bar	52	162	124	140	190	47	225	555
125	16 bar	56	181	124	150	214	47	225	640
150	16 bar	56	209	124	170	240	47	225	685
200	16 bar	60	270	142	205	305	67	310	820



## DIMENSIONS (mm) Pneumatic Actuator (D/A)

DN	Pressure	A	B	C	D	E	F	G	H	Weight (kg.)	Standard Cyl.	Connect.
50	16 bar	43	113	124	105	129	178	115	412	9	C100/62	1/4" G
65	16 bar	46	128	124	115	146	193	115	454	10	C100/77	1/4" G
80	16 bar	46	143	124	124	162	211	115	497	11	C100/95	1/4" G
100	16 bar	52	162	124	140	187	231	115	558	13.5	C100/115	1/4" G
125	16 bar	56	181	124	150	213,5	271	140	632	19	C125/143	1/4" G
150	16 bar	56	209	142	170	237	296	175	703	22	C160/168	1/4" G
200	16 bar	60	270	185	205	385	385	220	900	47	C200/220	3/8" G
250	16 bar	68	320	230	250	450	450	277	1097	58	C250/270	3/8" G
300	16 bar	78	425	250	290	510	510	382	1244	84	C300/320	1/2" G

## DIMENSIONS (mm) Electric Actuator Rising Stem

DN	Pressure	A	B	C	D	E	F	ØG	H	I	J	L	M	Stem Ø x pitch	Torque (Nm)
50	16 bar	43	113	124	105	132	380	140	955	265	234	62	237	20 x 4	10
65	16 bar	46	128	124	115	149	407	140	980	265	234	62	237	20 x 4	10
80	16 bar	46	143	124	124	165	432	140	1005	265	234	62	237	20 x 4	10
100	16 bar	52	162	124	140	190	473	140	1050	265	234	62	237	20 x 4	10
125	16 bar	56	181	124	150	214	510	140	1085	265	234	62	237	20 x 4	20
150	16 bar	56	209	124	170	240	555	140	1130	265	234	62	237	20 x 4	25
200	16 bar	60	270	185	205	310	660	160	1235	265	250	135	237	24 x 5	50
250	16 bar	68	320	230	250	397	790	160	1365	265	250	135	237	24 x 5	75
300	16 bar	78	425	250	290	444	890	200	1470	282	256	135	237	24 x 5	105

