

HG

KNIFE GATE VALVE

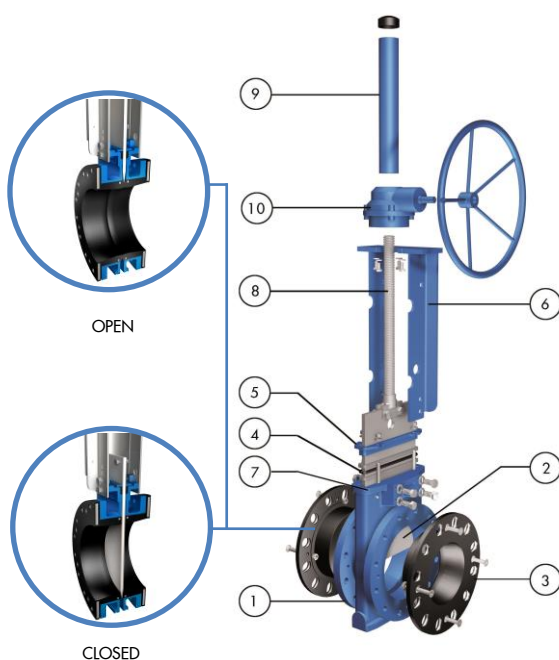
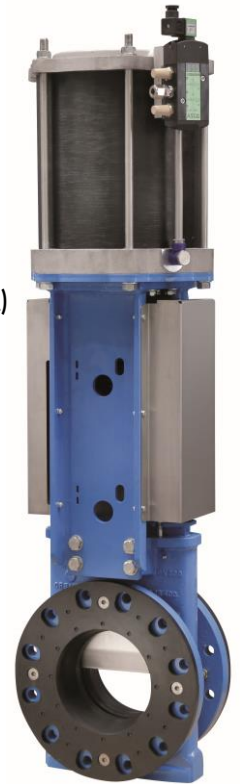
The HG model knife gate valve is a full flanged heavy duty valve equipped with two metal reinforced rubber sleeves designed for use in the handling of abrasive slurries, mainly in industries such as Mining, Chemical Plants, Power Plants, Wastewater Treatment Plants, etc.

Product description:

- Bi-directional full flanged heavy duty knife gate valve
- Size range of DN80-600 (larger sizes available). See Dimension Charts for pressure rating
- Rising stem
- Standard flange connection: DIN PN25 (EN 1092-2) and ANSI B16.5 (class 300)
Others available upon request
- Manual (handwheel and bevel gear), pneumatic (single and double-acting), electric and hydraulic actuation options available
- Directives: 2006/42/EC (MACHINES), 2014/68/EU (PED) Fluid: Group 1(b), 2 (Cat. I. mod. A) and 2014/34/EU (ATEX)

Features:

- Full flange cast monoblock body with two machined lateral mouths where the sleeves fit perfectly and grease nipples to lubricate the gate
- Open at the bottom for draining purposes, also available with covers or splash guards
- Rectangular shaped stainless steel gate, polished both sides to reduce friction and avoid seat damage
- Metal reinforced rubber sleeve seats, designed to allow maximum flexibility and minimum effort during gate travel
- Conventional leak proof packing
- RAL-5015 blue epoxy-coating on all cast iron/carbon steel components
- Automated valves provided with gate guards in accordance with EU Safety Standards
- Other options: open-closed lockout system, flush ports, special materials, fabricated valves, gate coatings, etc.
- Actuation accessories: limit & proximity switches, mechanical stops, solenoid valves, manual overrides, fail safe systems, stem extensions and floor stands



STANDARD PARTS LIST

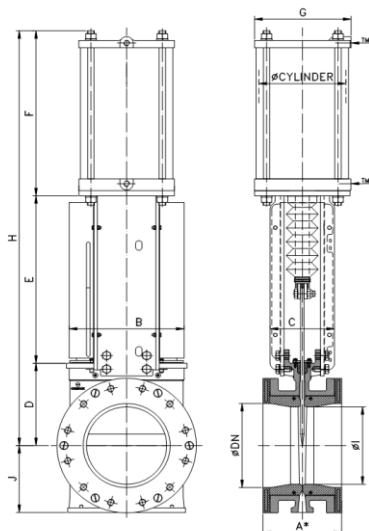
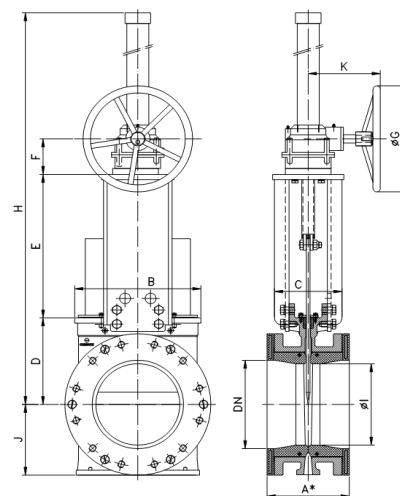
Part	Materials
1 Body	Ductile iron A536 (60-40-18) / Carbon Steel S275JR
2 Gate	AISI 304 (1.4301) + Chrome / Duplex 2205 + Chrome
3 Sleeves	Natural rubber / EPDM
4 Packing	PTFE Impreg. Synth. Fibre (with a EPDM O-Ring)
5 Gland Follower	A570 GR.40 / 1.0044 Epoxy coated
6 Yoke	A570 GR.40 / 1.0044 Epoxy coated
7 Grease Nipple	Zinc coated carbon-steel
8 Stem	Stainless Steel
9 Stem protector	A570 GR.40 / 1.0044 Epoxy coated
10 Bevel Gear	-

DIMENSIONS (mm) Hand operated Rising Stem

DN	Pressure	Gear	A1*	A2*	B	C	D	E	F	ØG	H	J	K	ØI
80	20 bar	-	175	183	175	100	124	175	67	225	545	90	-	70
100	20 bar	-	175	183	170	100	140	200	67	310	620	100	-	85
150	20 bar	FLO.4	178	186	230	165	175	263	84	300	900	130	263	135
200	20 bar	FLO.4	184	192	280	165	205	322	84	300	990	160	263	180
250	20 bar	FLO.4	225,5	233	335	185	245	397	84	300	1510	200	263	230
300	20 bar	FLO.4	257	264	390	266	280	441	84	450	1590	232	263	280
350	20 bar	FLO.4	257	264	440	270	325	508	84	450	1700	258	263	330
400	20 bar	FLO.4	279,5	287	505	270	350	567	84	450	1780	292	263	380
450	20 bar	FL1.6	311	319	560	270	420	631	102	450	2175	318	263	400
500	20 bar	FL1.6	359	367	620	270	462	700	102	650	2305	345	263	450
600	20 bar	FL1.6	371,5	380	730	270	510	805	102	650	2520	400	263	550

A1*: installed face to face

A2*: minimum required dimension for installation



DIMENSIONS (mm) Pneumatic Actuator (D/A)

DN	Pressure	A1*	A2*	B	C	D	E	F	G	H	J	ØI	Standard Cyl.	TM
80	20 bar	175	183	175	100	124	175	260	175	559	90	70	C125/114	1/4"
100	20 bar	175	183	170	165	140	198	280	220	618	100	85	C160/140	1/4"
150	20 bar	178	186	230	185	175	265	345	277	785	130	135	C200/200	3/8"
200	20 bar	184	192	280	266	205	322	420	382	947	160	180	C250/252	3/8"
250	20 bar	225,5	233	335	270	245	415	505	444	1165	200	230	C300/307	1/2"
300	20 bar	257	264	390	270	280	472	580	515	1332	232	280	C350/359	3/4"
350	20 bar	257	264	440	270	325	555	710	444	1590	258	330	C400/405	3/4"
400	20 bar	279,5	287	505	270	350	605	760	444	1715	292	380	C400/465	3/4"

A1*: installed face to face

A2*: minimum required dimension for installation

DIMENSIONS (mm) Electric Actuator Rising Stem

DN	Pressure	A1*	A2*	B	C	D	E	F	ØG	H	K	J	L	M	N	ØI	torque (Nm)
80	20 bar	175	183	175	100	124	175	442	160	1000	265	249	62	238	90	70	30
100	20 bar	175	183	170	165	140	198	481	160	1035	265	249	62	238	100	85	40
150	20 bar	178	186	230	185	175	265	583	160	1135	265	249	62	238	130	135	75
200	20 bar	184	192	280	266	205	322	682	200	1245	282	254	65	238	150	180	150
250	20 bar	225,5	233	335	270	245	415	790	200	1378	282	254	65	248	200	230	280
300	20 bar	257	264	390	270	280	472	882	200	1470	282	254	65	248	232	280	325
350	20 bar	257	264	440	270	325	555	1055	315	1657	385	336	91	286	258	330	360
400	20 bar	279,5	287	505	270	350	605	1130	315	1732	385	336	91	286	292	380	500
450	20 bar	311	319	560	270	420	677	1272	315	1974	385	336	91	286	318	400	600
500	20 bar	359	367	620	270	462	742	1379	400	2481	385	339	91	286	345	450	700
600	20 bar	371,5	380	730	270	510	843	1528	400	2630	385	339	91	286	400	550	950

A1*: installed face to face

A2*: minimum required dimension for installation

