

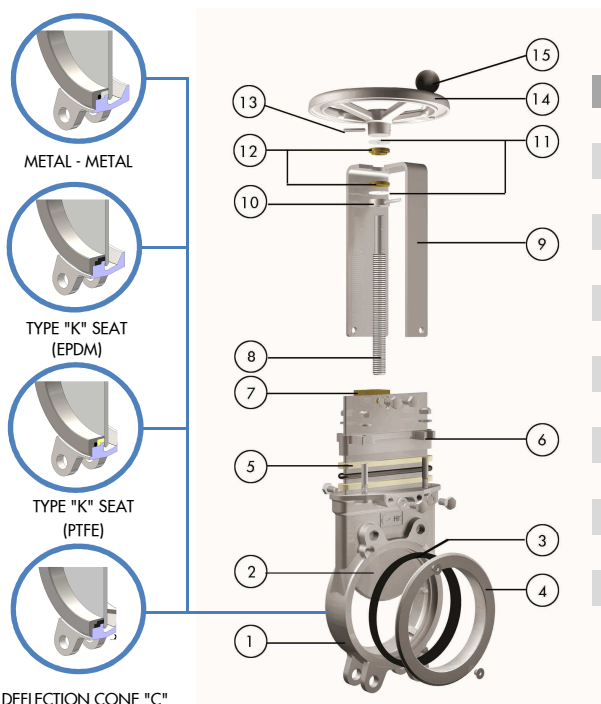
The HK model knife gate valve is a high-performance wafer type valve designed for general industrial service applications. The design of the body and seat assures non-clogging shut off on suspended solids in industries such as Pulp and Paper, Waste Treatment Plants, Food & Beverage, Mining, Power Plants, Chemical Plants, Bulk Handling, etc

Product description:

- Uni-directional wafer type high-performance knife gate valve
- Size range of DN150-300. See Dimension Charts for pressure rating
- Non-rising stem
- Standard flange connection: DIN PN10 (EN 1092-2) and ANSI B16.5 (class 150)
Others available upon request
- Manual (handwheel, chainwheel, lever and bevel gear), pneumatic (single and double-acting), electric and hydraulic actuation options available
- Directives: 2006/42/EC (MACHINES), 2014/68/EU (PED) Fluid: Group 1(b), 2 (Cat. I. mod. A) and 2014/34/EU (ATEX)

Features:

- Wafer cast monoblock body with internal cast-in gate wedges and guides for tighter shut-off
- Full port design for greater flow capacity and minimal pressure drop
- Stainless steel gate polished both sides to avoid jamming and seat damage
- Cast stainless steel seat ring, easily replaceable, that mechanically locks the seal. Standard EPDM seat, also available in other materials (PTFE,...). Metal-to-metal seat and deflection cones available
- Long-life multiple graphite impreg. PTFE/aramid yarn combination with elastomeric core, EPDM o-ring, packing with easy access and adjustable gland follower. Wide range of materials available
- RAL-5015 blue epoxy-coating on all cast iron/carbon steel components
- Automated valves provided with gate guards in accordance with EU Safety Standards
- Other options: bonnets, V-ports, flush ports, special materials, fabricated valves, etc.
- Actuation accessories: limit & proximity switches, mechanical stops, positioners, solenoid valves, manual overrides, locking devices, fail safe systems, stem extensions and floor stands

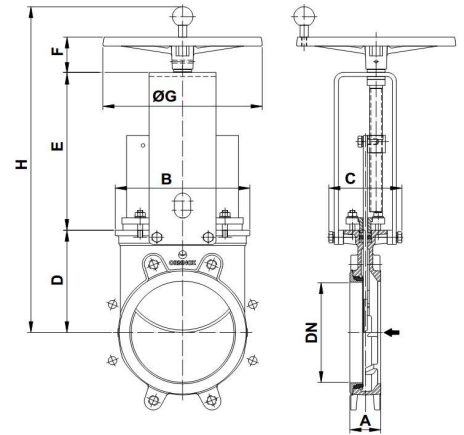


STANDARD PARTS LIST

Part	Stainless Steel
1 Body	CF8M (1.4408)
2 Gate	AISI 316 (1.4401)
3 Seat	EPDM
4 "K" Ring	CF8M (1.4408)
5 Packing	Dynapack + EPDM O-ring
6 Gland Follower	CF8M (1.4408)
7 Stem Nut	Brass
8 Stem	Stainless Steel
9 Yoke	AISI 304 (1.4301)
10 Axial Fixing Bush	AISI 304 (1.4301)
11 Friction Washer	PET + solid lubricant
12 Bushing	Bronze
13 Spring Pin	AISI 420 (1.4021) (ISO 8752)
14 Handwheel	Ø≤310: Al (AISI12); Ø≤410: GJS400 (GGG40)
15 Knob	Black bakelite

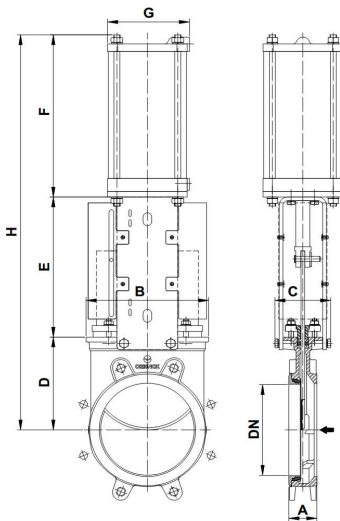
DIMENSIONS (mm) Handwheel Non Rising Stem

DN	ON SEATING Pressures	OFF SEATING Pressures ⁽¹⁾	A	B	C	D	E	F	ØG	H	Weight (kg.)
150	10 bar	3,5 bar	60	216	125	180	252	63	225	556	20
200	10 bar	3,5 bar	60	273	142	235	317	73	310	686	32
250	10 bar	3 bar	69	328	142	280	372	73	310	786	46
300	10 bar	2 bar	78	391	142	335	422	73	310	891	62



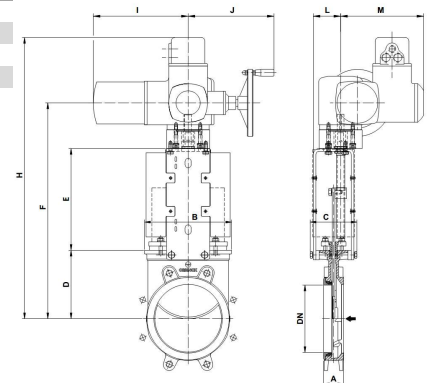
DIMENSIONS (mm) Pneumatic Actuator (D/A)

DN	ON SEATING Pressures	OFF SEATING Pressures ⁽¹⁾	A	B	C	D	E	F	G	H	Weight (kg.)	Standard Cyl.	Connect.
150	10 bar	3,5 bar	60	216	125	180	237	296	140	713	27	C125/168	1/4" G
200	10 bar	3,5 bar	60	273	142	235	309	358	175	902	46	C160/220	1/4" G
250	10 bar	3 bar	69	328	142	280	364	428	220	1072	69	C200/270	3/8" G
300	10 bar	2 bar	78	391	142	335	414	478	220	1227	86	C200/320	3/8" G



DIMENSIONS (mm) Electric Actuator Non Rising Stem

DN	ON SEATING Pressures	OFF SEATING Pressures ⁽¹⁾	A	B	C	D	E	F	ØG	H	I	J	L	M	Stem Ø x pitch	Torque (Nm)
150	10 bar	3,5 bar	60	216	125	180	237	560	160	735	265	249	72	238	20 x 3	20
200	10 bar	3,5 bar	60	273	142	235	309	669	160	844	265	249	82	238	24 x 5	30
250	10 bar	3 bar	69	328	142	280	364	799	160	974	265	249	82	238	24 x 5	45
300	10 bar	2 bar	78	391	142	335	414	904	160	1079	265	249	82	238	24 x 5	40



⁽¹⁾ Resilient seats, CF8M (1.4408) bodies and PN10 flanges only