

3VY 3-WAY DIVERTER VALVE

The 3VY model valve has 3 ways for use in material and bulk handling applications. The flow penetrates in the valve through its entrance and it gets out alternately for one of the two branch lines. The desired combination is obtained by pneumatic actuation.

Product description:

- 3 ways diverter valve
- Size range of DN 50-350 (larger sizes on request)
- Working pressure: up to 3 bar
- Standard flange connection:
EN 1092 PN 16 and ASME B16.5 (class 150).
Others available on request
- Manual (lever) and pneumatic actuator (double acting, single-acting upon request)

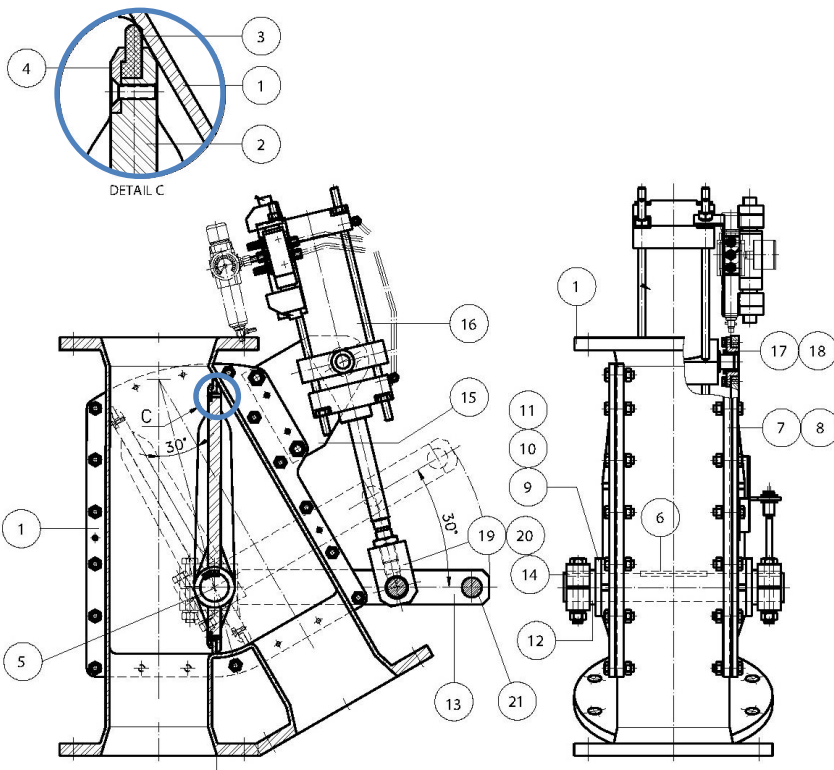
Features:

- The valve can be mounted in vertical or horizontal pipeline but the shaft always must be installed on horizontal position
- Various diversion angle with a smooth pass-through design
- Standard EPDM seal, also available in other materials (NBR, FKM-FPM, VMQ, ...)
- Robust design which provide faithful service with a minimum of setup or maintenance intervention required



STANDARD PARTS LIST

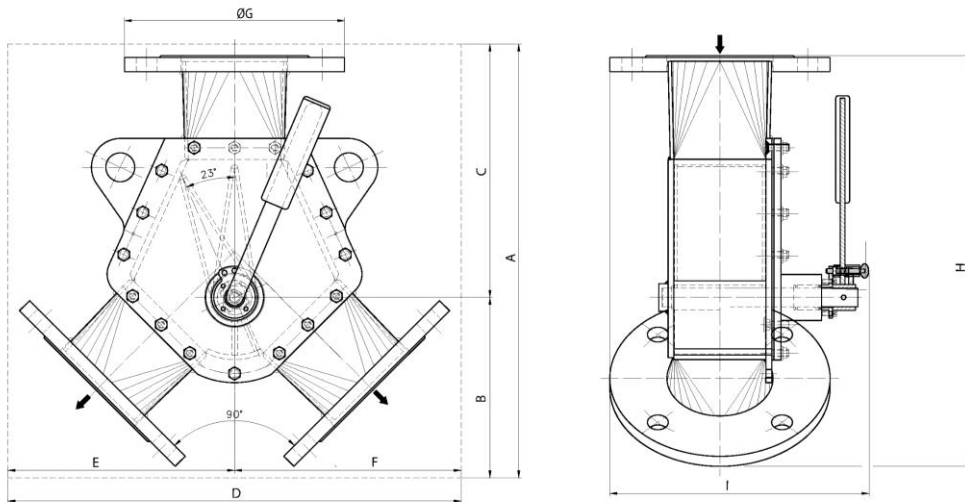
Part:	Materials:
1 Body	AISI 316
2 Distributor	AISI 316
3 Seal	EPDM
4 Seal support	AISI 316
5 Shaft	AISI 316
6 Key	AISI 316
7 Cover	AISI 316
8 Gasket	Aramid fibres
9 Bearing	-
10 O-ring	NBR
11 O-ring	NBR
12 Bush	Carbon Steel
13 Lever	Carbon Steel
14 Key	Carbon Steel
15 Support plate	Carbon Steel
16 Pneumatic cylinder	-
17 Bearing	-
18 Cover	Carbon Steel
19 Coupling	Carbon Steel
20 Bearing	-
21 Shaft	Carbon Steel



3VY 3-WAY DIVERTER VALVE

DIMENSIONS (mm) Manual Lever Actuator

DN	Pressure	Angle	A	B	C	D	E	F	ØG	H	I
75	1 bar	23°	380	157	220	395	197	197	191	360	225



DIMENSIONS (mm) Pneumatic Actuator (D/A)

DN	Pressure	Angle	A	B	C	D	E	∇F	ØG	H	I	J	K
200	3 bar	30°	720	260	649	71	649	170	343	571	190	190	380
350	3 bar	30°	1350	260	765	278	1072,5	316	535	950	300	300	600

