

TH SERIES 34 KNIFE GATE VALVE



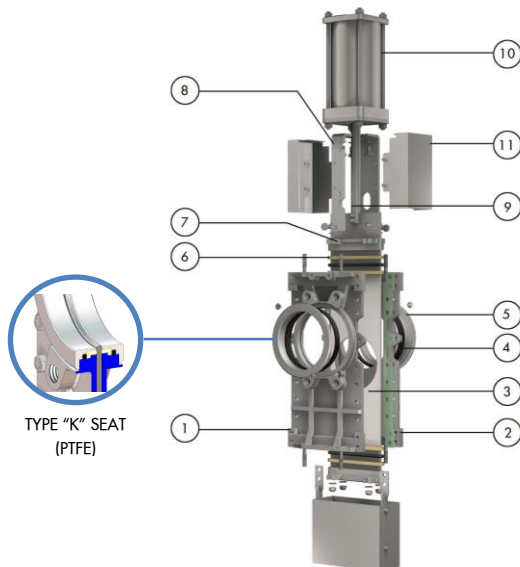
The SERIES 34 (TH) model knife gate valve is a bi-directional wafer type through-conduit high pressure valve designed for media with high consistency. The double seat design assures a non-clogging shut off on suspended solids in both flow directions. The valve is used in a wide range of demanding applications in industries such as Pulp & Paper, Wastewater Treatment Plants, Chemical Plants, Power Plants, etc.

Product description:

- Bi-directional wafer type through-conduit high pressure knife gate valve
- Size range of DN 8"-40" (larger sizes upon request)
- Design pressure up to 300 psi/20 bar (other design pressures available upon request)
- Rising & non-rising stem configurations available
- Standard flange connection: DIN PN10/16/25 (EN 1092-2) and ANSI B16.5 (class 150)
Others flange connections available upon request
- Manual (handwheel, chainwheel, lever and bevel gear), pneumatic (single and double-acting), electric and hydraulic actuation options available
- For EU Directives and other Certificates, please see the document:
Directives and Certificates Compliance - Knife Gate Valves - Catalogues and Datasheets

Features:

- Wafer type fabricated or cast two-part bolted stainless steel body with internal HMWPE sliders for a smoother gate traveling
- Full port design for greater flow capacity and minimal pressure drop
- Stainless steel o-port design through-going gate, polished both sides to avoid jamming and seat damage
- Cast stainless steel seat ring, easily replaceable, that mechanically locks the seal. Standard EPDM seat, also available in other materials (PTFE,...). Metal-to-metal seat and deflection cones available
- Dual packing with easy access and adjustable packing glands. Long life multiple graphite imp. PTFE & aramid yarn combination with elastomeric core and EPDM o-ring. Wide range of materials available
- Automated valves provided with gate guards in accordance with EU Safety Standards. Only in EU
- Other options: bonnets, flush ports, special materials, fabricated valves, etc.
- Actuation accessories: limit & proximity switches, mechanical stops, positioners, solenoid valves, manual overrides, locking devices, fail safe systems, stem extensions and floor stands



STANDARD PARTS LIST

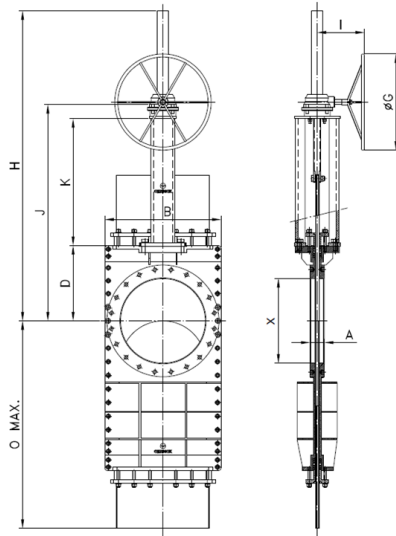
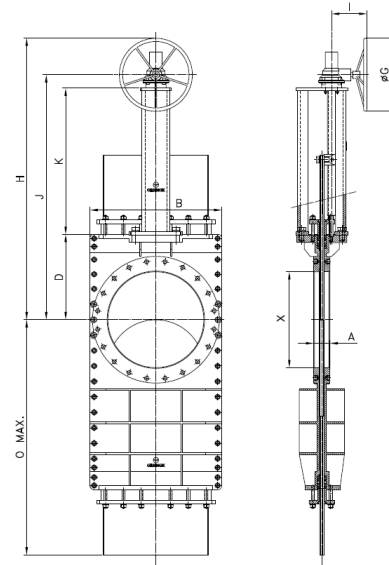
Part	Material
1 Body	CF8M / AISI 316
2 Body	CF8M / AISI 316
3 Gate	AISI 316
4 Seat	PTFE
5 "K" ring	AISI 316
6 Packing	Dynapack + EPDM O-ring
7 Gland Follower	CF8M / AISI 316
8 Yoke	AISI 304 (1.4301)
9 Piston Rod	AISI 304 (1.4301)
10 Cylinder	Aluminum
11 Gate Guards	AISI 304 (1.4301)

TH SERIES 34 KNIFE GATE VALVE



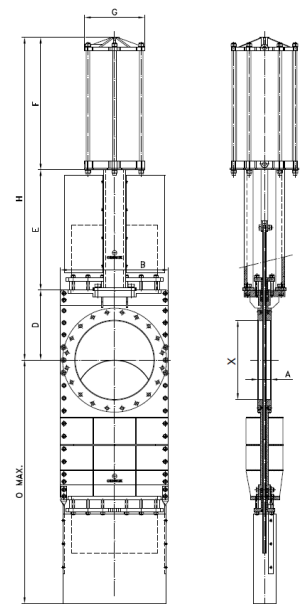
DIMENSIONS Bevel Gear Non Rising Stem

DN (")	Pressures	X	A	B	D	J	K	ØG	H	O max.
12"	150 psi	11,88	3,07	16,14	11,02	31,88	16,53	12,20	32,36	35,63
14"	150 psi	13,07	3,07	18,62	11,81	36	19,29	16,14	35,31	41,62
16"	150 psi	14,96	3,50	21,18	14	40	21,26	16,14	39,25	46,10
18"	150 psi	16,53	3,50	23,15	16,53	44,29	23,42	21,65	44,09	51,22
20"	150 psi	19,29	4,48	29,13	19,29	47,83	25,79	21,65	47,64	62
24"	150 psi	21,25	4,80	29,66	20,86	54,92	29,72	21,65	54,68	67,36
28"	150 psi	26,18	5,04	33,85	25,59	63,58	33,66	25,59	39,25	78,94
32"	150 psi	29,92	5,04	37,95	29,13	71,06	37,60	25,59	44,09	90,35
36"	90 psi	34,64	5,04	42,13	33,26	79,13	41,54	25,59	47,64	101,77
40"	90 psi	38,18	5,04	46,46	37,60	87,40	45,47	25,59	54,68	113,19



DIMENSIONS Bevel Gear Rising Stem

DN (")	Pressures	X	A	B	D	J	K	ØG	H	O max.
12"	150 psi	11,88	3,07	16,14	11,02	31,88	16,53	12,20	43,39	35,63
14"	150 psi	13,07	3,07	18,62	11,81	36	19,29	16,14	50,63	41,62
16"	150 psi	14,96	3,50	21,18	14	40	21,26	16,14	54,57	46,10
18"	150 psi	16,53	3,50	23,15	16,53	44,29	23,42	21,65	62,32	51,22
20"	150 psi	19,29	4,48	29,13	19,29	47,83	25,79	21,65	65,87	62
24"	150 psi	21,25	4,80	29,66	20,86	54,92	29,72	21,65	77,28	67,36
28"	150 psi	26,18	5,04	33,85	25,59	63,58	33,66	25,59	90,55	78,94
32"	150 psi	29,92	5,04	37,95	29,13	71,06	37,60	25,59	103,94	90,35
36"	90 psi	34,64	5,04	42,13	33,26	79,13	41,54	25,59	117,32	101,77
40"	90 psi	38,18	5,04	46,46	37,60	87,40	45,47	25,59	103,31	113,19



DIMENSIONS Pneumatic Actuator (D/A)

DN (")	Pressures	X	A	B	D	O max.	E	F	G	H	Standard Cyl.	Conect.
12"	150 psi	11,88	3,07	16,14	11,02	35,62	16,30	18,82	8,66	46,14	C8"-12.60"	3/8" G
14"	150 psi	13,07	3,07	18,62	11,81	41,22	20,07	21,61	10,90	52,91	C8"-14.76"	3/8" G
16"	150 psi	14,96	3,50	21,18	14	46,10	22,04	23,03	10,90	58,82	C10"-16.73"	3/8" G
18"	150 psi	16,53	3,50	23,15	16,53	51,22	23,94	26,18	15,03	66,65	C10"-18.70"	1/2" G
20"	150 psi	19,29	4,48	29,13	19,29	62	29,68	28,15	15,03	77,12	C12"-20.67"	1/2" G
24"	150 psi	21,25	4,80	29,66	20,86	67,36	31,34	34,64	17,48	86,85	C14"-24.60"	3/4" G
28"	150 psi	26,18	5,04	33,85	25,59	71,65	33,66	38,58	17,48	97,83	C14"-28.74"	3/4" G
32"	150 psi	29,92	5,04	37,95	29,13	75,98	37,60	42,52	17,48	109,25	C14"-32.48"	3/4" G
36"	90 psi	34,64	5,04	42,13	33,26	80,31	41,53	46,45	17,48	121,25	C16"-36.41"	3/4" G
40"	90 psi	38,18	5,04	46,46	37,60	84,05	45,47	50,39	17,48	133,46	C16"-36.61"	3/4" G

Note: DN12"-32" dimensions for 150psi design pressure and PN10 flange drilling and DN36"-40" for 90psi design pressure and PN10 flange drilling