

DOUBLE GATE KNIFE GATE VALVE

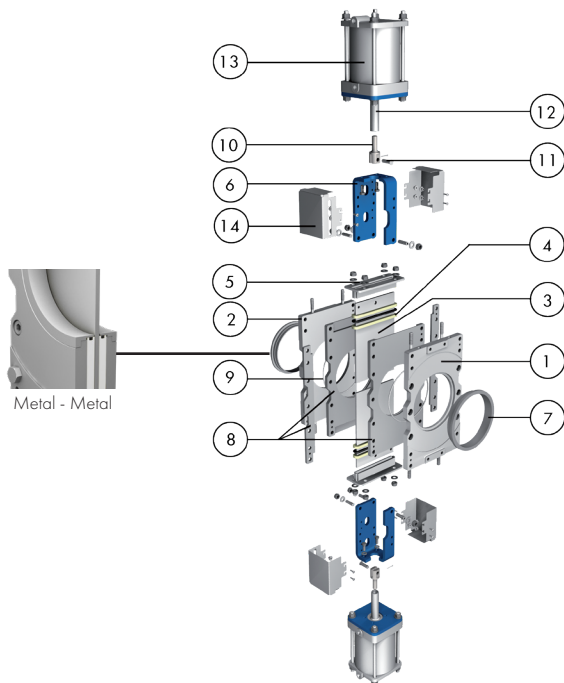
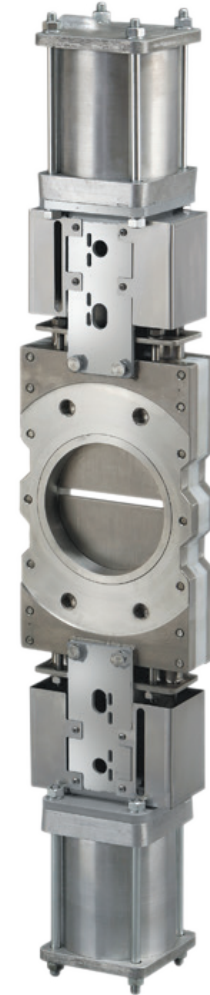
The Series 80 (DT) model knife gate valve is a bi-directional valve widely used in the Pulp and Paper industry (paper recycling) and especially designed to handle high concentrated or contaminated media. In the open position, both gates are retracted into the body, assuring full flow. When the gates close, they push stock and contaminants as staples, wires, etc., out of the body and back into the flow. As a result of this double gate design, the stroke time of these valves is half of that of the conventional valves. All components subject to wear can be easily replaced

Product description

- Bi-directional wafer type double gate knife gate valve
- Size range of DN 4in-24in (larger sizes upon request). See Dimension Charts for pressure rating
- Standard flange connection: EN 1092 PN10 and ASME B16.5 (class 150). Others upon request
- Double acting pneumatic actuation
- For EU Directives and other Certificates, please see the document: Directives and Certificates Compliance - Knife Gate Valves - Catalogues and Datasheets

Features

- Internally machined fabricated two-part bolted body with HMWPE liners for optimum gate guiding and sliding when traveling
- Full port design for greater flow capacity and minimal pressure drop
- Dual stainless steel gate, polished both sides to avoid jamming and seat damage
- Two cast stainless steel seat rings, easily replaceable, that protect the body
- Double packing with easy access and adjustable packing glands ensuring a tight seal. Long life PTFE impregnated synthetic fiber plus EPDM O-ring. Wide range of packing materials available
- RAL-5015 blue epoxy-coating on all cast iron/carbon steel components
- Automated valves provided with gate guards in accordance with EU Safety Standards. Only in EU
- Other options: special materials, fabricated valves, etc.
- Actuation accessories: limit & proximity switches, mechanical stops, positioners, solenoid valves, manual overrides, locking devices and fail safe systems



STANDARD PARTS LIST

Part	Description
1	Body Carbon steel / AISI 316 ¹
2	Counterbody Carbon steel / AISI 316 ¹
3	Gate AISI 304 / AISI 316 ¹
4	Packing PTFE Impreg. Synth. Fibre (both with an EPDM o-ring)
5	Gland follower Carbon steel / AISI 316 ¹
6	Yoke Carbon Steel-Epoxy Coated
7	Seat rings CF8M
8	Body liner HMW Polyethylene
9	O-ring Nitrile
10	Clevis 17-4 PH
11	Pin AISI 304
12	Piston rod AISI 304
13	Cylinder Aluminium
14	Gate guards AISI 304

¹ Stainless steel configuration

Double Acting Pneumatic Cylinder

DN (in)	Pressures	A (in)	B (in)	H (in)	Weight (Lbs.)	Connect.
4	150 psi	1,96	4,53	34,72	106	1/4"G
5	150 psi	1,96	5,51	36,77	124	1/4"G
6	150 psi	2,36	5,51	42,12	148	1/4"G
8	150 psi	2,36	6,89	31,57	176	1/4"G
10	150 psi	2,75	8,66	61,49	198	3/8"G
12	90 psi	2,75	8,66	68,18	353	3/8"G
14	90 psi	3,78	10,9	77,95	562	3/8"G
16	90 psi	3,93	10,9	84,25	750	3/8"G
18	75 psi	4,17	15,03	93,31	893	1/2"G
20	60 psi	4,49	15,03	103,54	1080	1/2"G
24	60 psi	4,49	15,03	115,35	1279	1/2"G

