

Model KP

TRANSMITTER ISOLATION VALVE

ORBINOX KP valve provides isolation of an level instrument transmitter from a storage tank. The installation of this valve allows the replacement of the transmitter or its maintenance without disrupting the process or draining the vessel

Sizes

DN 80
Larger diameters on request

Pressure and temperature ratings

DN 80 : 10 bar

CF8M: -20°C / 80°C

Standard flange drilling

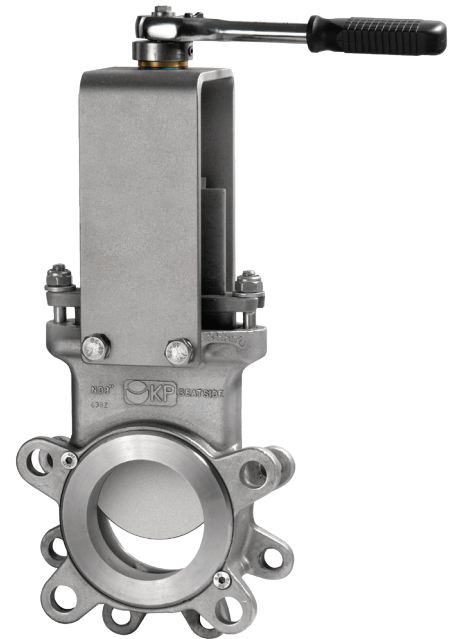
EN-1092 PN10
ASME B16.5 (class 150)
Other flange drillings available on request

Directives

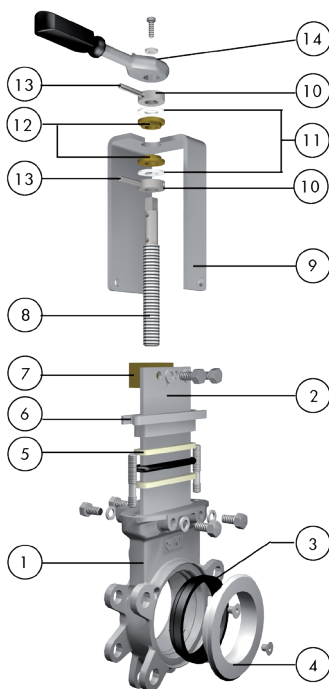
For EU Directives and other Certificates please see the document: Directives & Certificates Compliance - Knife Gate Valves –Catalogues and Datasheets

Testing

All valves are tested prior to shipping in accordance with the standard EN-12266-1



STANDARD PARTS LIST



Part	Description
1	Body CF8M
2	Gate AISI 316
3	Seat EPDM
4	"K" Ring AISI 316
5	Packing Dynapack (Graphite impregnated PTFE and Aramid yarn combination with an elastomeric core)+ (EPDM O-ring)
6	Gland follower CF8M
7	Stem nut Brass
8	Stem Stainless Steel
9	Yoke AISI 304
10	Axial fixing bush AISI 304
11	Friction washer PET + solid lubricant
12	Bushing Bronze
13	Spring Pin AISI 420 (ISO 8752)
14	Ratchet wrench Carbon steel
15	Bolts & Nuts A2

DESIGN FEATURES

Body

Wafer style cast stainless steel monoblock body with raised faces. Designed with internal cast-in gate wedges and guides to ensure a tighter valve shut-off. The full port design guarantees a greater flow capacity and a minimal pressure drop. The body internal design avoids any accumulation of particles that would prevent valve from closing

Gate

Stainless steel gate as standard. Gate is polished on both sides to avoid jamming and seat damage. The bottom of the gate edge is machined to a bevel to cut through solids for a tighter seal in the closed position

Seat (resilient)

Unique design that mechanically locks the seal in the inner side of the valve body with a cast, easy to replace, stainless steel seat ring. Standard EPDM also available in different materials such as PTFE, etc.

Packing

Long-life packing with several graphite impregnated PTFE and aramid yarn combination with an elastomeric core, plus an EPDM O-ring with an easy access packing gland ensuring a tight seal. Long-life braided packing is available in a wide range of materials

Stem

The standard stainless steel stem offers a long corrosion resistant life

Yoke or actuator support

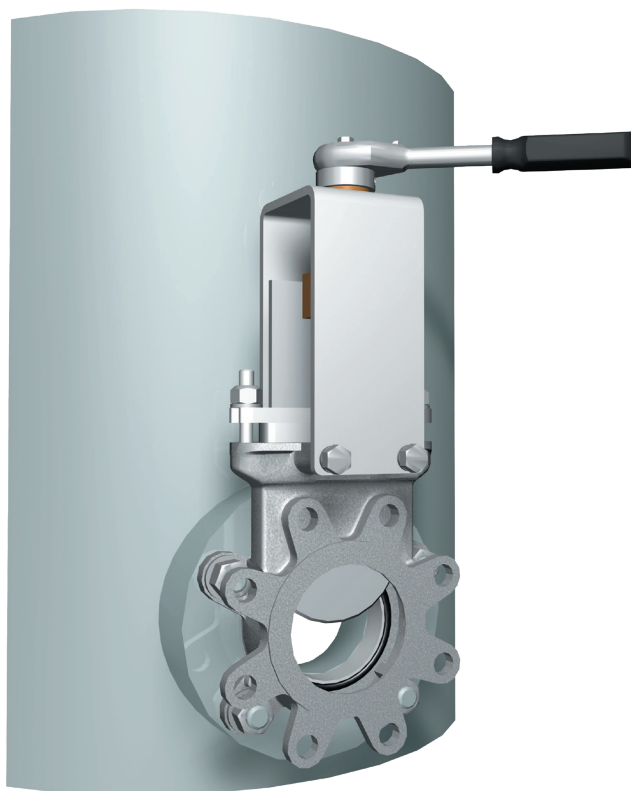
Made of stainless steel (Epoxy coated steel available on request). Compact design makes it extremely robust even under the most severe conditions

Epoxy coating

The Epoxy coating on all ORBINOX cast iron and carbon steel components is electrostatically applied making the valves corrosion-resistant with a high quality finished surface. The ORBINOX standard colour is RAL-5015 blue

Actuators

All valves supplied with WRENCH



SEAT/SEAL TYPES

Material	Max.T. (°C)	Applications
EPDM (E)	120	Acids and non mineral oils
NBR (N)	120	Resistance to petroleum products
FKM-FPM (V)	200	Chemical service / High temp.
VMQ (S)	250	Food service / High temp.
PTFE (T)	250	High corrosion
Polyurethane	90	Corrosion resistance

PACKING TYPES

Material	Max.T. (°C)	pH
Dynapack (DP)	270	2 - 13
Braided PTFE (TH)	260	0 - 14
Graphited (GR)	600	0 - 14
Ceramic fibre (FC)	1200	- - -

All types include an elastomere O-ring (same material as seal)

More details and other materials under request

SEAT CONFIGURATIONS/DESIGNS

Type	Features	
Type K seat (EPDM)	<ul style="list-style-type: none"> - Standard replaceable resilient EPDM seat - Replaceable stainless steel ring 	
Type K seat (PTFE)	<ul style="list-style-type: none"> - Replaceable resilient PTFE + O-ring seat - A Replaceable stainless steel ring 	
Polyurethane	<ul style="list-style-type: none"> - Replaceable polyurethane seat ring 	

OTHER SEAT FEATURES

Type	Features	
Deflection cone C	<ul style="list-style-type: none"> - Used to protect valve seats and internals - Material: AISI 316, Ni-Hard, etc. - Face-to-face dimension increases: DN 80 X = 9mm 	

MAIN DIMENSIONS

	DN	A	B	C	D	E	F	G	H	K
PN10	80	51	177	110	22	88	212	120	325	160
ASME class 150	80	51	180	110	22	74	212	120	325	152,4

	PN10	ASME class 150	TANK SIDE
	M1	N1	M3
	N3	ØM2	N2
PN10	M16	8	-
ASME class 150	-	-	5/8-11 UNC
		4	18
			4

